



Mianyang Weibo Electronic Co.,Ltd

*Designing, Manufacturing and Supplying WB Series Electric Isolated Sensor and Digital
Electrical Transducer since 1989*

USER MANUAL

WBV334U01-S DC Voltage Transducer

www.mywbdz.com
alex827@qq.com

Tel: 86 816 2971265
Fax: 86 816 2281934

ISO9001:2008 ISO14001:2004 OHSAS18001: 2007
Certified Company

One Year Quality Warranty

WBV334U01-S DC Voltage Transducer

Safety claim

The information in the safety claim of the equipment documentation is intended to ensure that equipment is properly installed in order to maintain it in a condition.

It is assumed that everyone who would be associated with the equipment should be familiar with the contents of that safety section, or this safety guide.

When electrical equipment is in operation, dangerous voltages will be present in certain parts of the equipment (e.g. the input terminal). Failure to observe warning notices, incorrect use, or improper use may endanger personnel and equipment and cause personal injury or physical damage.

Before working in the terminal strip area, the equipment must be isolated.

Proper and safe operation of the equipment depends on appropriate shipping and handling, proper storage, installation and commissioning, and on careful operation, maintenance and servicing.

The operating manual for the equipment gives instructions for its installation, commissioning, and operation. However, the manual cannot cover all conceivable circumstances or include detailed information on all topics. In the event of questions or specific problem, do not take any action without proper authorization. Contact the appropriate WB technical sales office and request the necessary information.

Standard application

1. Accuracy

Accurate degree is conformed to IEC688:1992

2. Safety

2.1 Overload capability

Overload capability is conformed to IEC688:1992

2.2 Isolation voltage

Can be endured testing voltage is conformed to Q/72085584-0.1-2004

2.3 Insulation impedance

The insulation impedance is no less than 20M Ohm, is conformed to Q/72085584-0.1-2004

3. Electromagnetic Capability

3.1 RF-Electromagnetic field immunity test according to EN61000-6-2:2005, EN61000-6-4:2001

3.2 Power frequency magnetic field immunity test according to EN61000-6-2:2005, EN61000-6-4:2001

3.3 Electrostatic discharge immunity test according to EN61000-6-2:2005, EN61000-6-4:2001

3.4 Surge immunity test according to EN61000-6-2:2005, EN61000-6-4:2001

3.5 Electrical fast transient/burst immunity test according to EN61000-6-2:2005, EN61000-6-4:2001

3.6 Conducted disturbance voltage according to EN61000-6-2:2005, EN61000-6-4:2001

3.7 RF continuous conducted immunity according to EN61000-6-2:2005, EN61000-6-4:2001

3.8 Radiated Electromagnetic disturbance according to EN61000-6-2:2005, EN61000-6-4:2001

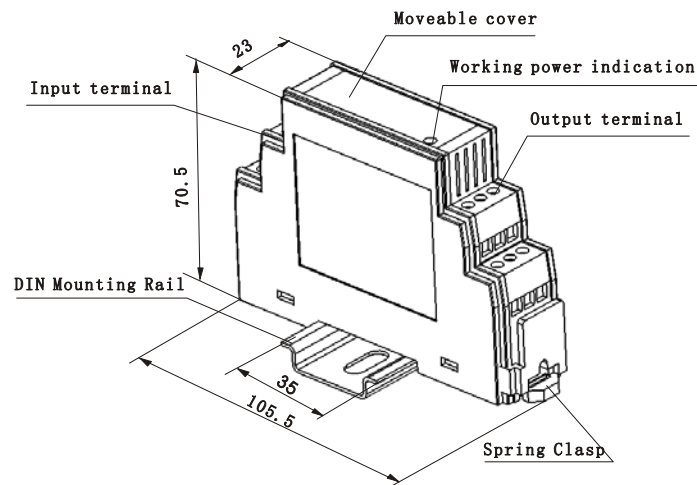
3.9 Voltage dips/interruptions immunity according to EN61000-6-2:2005, EN61000-6-4:2001

Product Description and Application

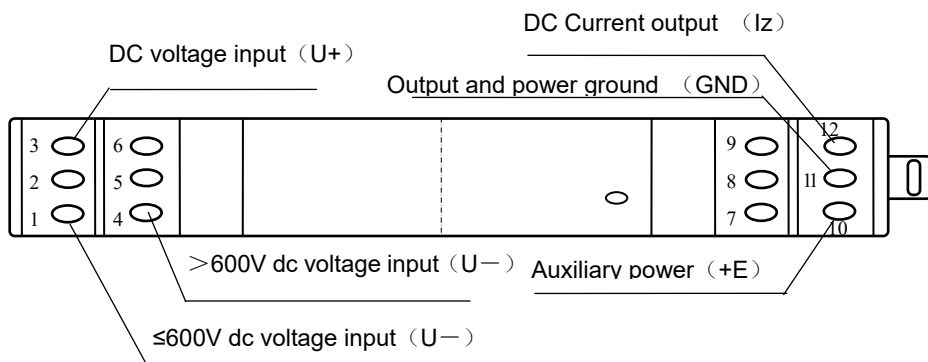
WBV334U01-S converts DC input voltage into a load independent output signal DC (0)4-20mA. It has adopted modulation-demodulation isolation principle and average measurement method for real time measurement of DC voltage from electric net or electric circuit.

The product has certain advantages of total galvanic isolation between input/output, high accuracy, low drifting by temperature, and wide temperature bearable range, etc.

Product Dimensional Drawing (unit: mm)



Product Terminal Identification Drawing



Non-identified terminals cannot be used

Terminal definition table

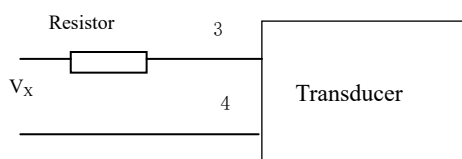
1/4	U-
3	U+
10	+E
11	GND
12	Iz

Key Technical Data:

1. Input: DC 10mV...1000V;
2. Output: DC (0)4-20mA
3. Accuracy class: 0.5%
4. Input Impedance (R): when $V_x > 1V, R_i = V_x \times 10k \Omega / V$;
When $V_x \leq 1V, R_i > 1M \Omega$;
5. Linear Range:0-120% of nominal input
6. Responding Time: 350ms
7. Over Load Capacity: 2 times of nominal input, continuous;
8. Output impedance(output voltage): 6V
9. Auxiliary Power: +12VDC , +24VDC
10. Current consumption for static status:17mA
11. Isolation Voltage: $\geq 2500V_{dc}$, for 1 minute
12. Output Ripple: $< 10mV$
13. Drifting by Temperature: ($0^\circ C \sim +50^\circ C$) $2.5 \times 10^{-4}/^\circ C$
14. Ambient Temperature: $-10^\circ C \sim +50^\circ C$
15. Mounting : DIN Rail 35mm Mounting

Instruction of Installation and Use

1. The product has adopted structure compliance with EN50022; suitable for DIN rail mounting NS35/7.5, NS35/15. Installation steps are as following (please reference to dimensional drawing):
 - Step 1: Immobilize one side of product's mounting trough to the DIN mounting rail;
 - Step 2: Pull out the spring clasp;
 - Step 3: Place whole mounting trough to the DIN mounting rail properly;
 - Step 4: Release spring clasp to make sure the installation.
2. The product has calibrated before out of factory. After correctly wiring, it can be powered and used immediately. But for further precise signal sampling, user needs to warm-up the product for 3 minutes before use.
 - a) The auxiliary power requires isolation voltage $\geq 2000V_{AC}$, DC current output ripple $< 10mV$, and multiple converters can share with one set auxiliary power together.
 - b) When measuring dc voltage exceeds 1000volts, the circuit needs adding a resistor to divide the input dc voltage. The resistor is provided by Weibo Electronic, and only for each type of transducers special use only.



- C) When measuring DC voltage less than 600V, uses terminals 3 and 1 for connection;
when measuring DC voltage bigger than 600V, uses terminals 3 and 4 for connection

3. Basic testing method for accuracy

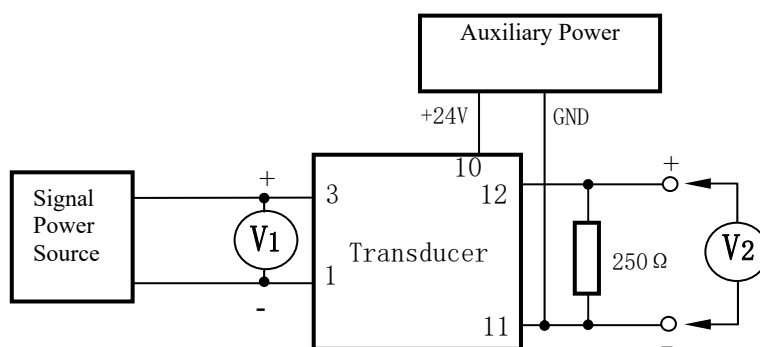
- (1) According to the terminal definition table to connect the testing circuit;
- (2) The testing must to be done by under the following conditions;

Auxiliary power: $24V \pm 1\%$, ripple $\leq 5mV$

Ambient temperature: $25^{\circ}C \pm 2^{\circ}C$

Relative humidity: RH(45~75)%

Accuracy for Signal Power Source instrument: 0.05



- (3) Warming up the transducer for 3 minutes
- (4) Using output monitoring meter V1 to measuring the output of signal power source instrument, set any input value which is within the measuring range of the transducer V_r (e.g. if input range is 100V, the output is 4-20mA). the expected output value I_z should be calculated as:

$$I_z = (20mA - 4mA) \times V_r / 100V + 4mA$$

- (5) Using output monitoring meter V2 to measuring the output voltage V_0 of the transducer, the basic introduced error γ of the transducer should be calculated as:

$$\gamma = (V_0 - I_z \times 250 \Omega) / [(20mA - 4mA) \times 250 \Omega] \times 100$$

- (6) Repeating step (4) (5), if calculated absolute value is less than the given accuracy value of the transducer; it shows the transducer's accurate grade is qualified.

Caution:

1. Pay attention to the auxiliary power information, especially the auxiliary power grade, and polarity, other wise will damage the product.
2. Pay attention to the wire connection; wrong terminal connection will cause malfunction of the product and even damage the product;
3. Don't dismantle the product, and carry with care to avoiding bump and fall of the product;
4. If the product has been using under the environment with strong magnetic field interference, please pay attention to the shield of input wire, and the output signal wire should be as short as possible. For product intensive installation, the space between each product should not be smaller than 10mm.
5. Only use identified terminals.
6. There is no lightning strike prevention circuit design in this product. For out door and hazardous environment using, please add protective alternatives.
7. This product uses fire prevent ABS crust, its temperature withstand is only limited as +85°C, higher than this limitation will cause the product deformation. Please use and store carefully.
8. This product can't be used to measure the pulse DC voltage signal, otherwise there will be more errors or no output.